

ZONE	REV	DESCRIPTION	DATE	ECN	REV BY
NA	0	8K CREATED	11/11/2004	H2724	SAM
02	1	SIDE RAILS	1/24/2005	H2775	SAM
01	2	MODIFY TRAVEL DATA	2/10/2005	H2775	SAM
AS	3	ADDED NOTE 6	9/9/2005	H2999	KJS

UNLESS OTHERWISE NOTED  
TOLERANCES ARE:  
.X: +/- .1  
.XX: +/- .06  
.XXX: +/- .030  
ANGULAR: +/- .5  
TORQUE: +10% - 0%

DRAWN BY: MASSA  
DATE: 2/10/2005  
CHECKED BY: GALLAGHER  
APPROVED BY: GOTTSCHALK  
MODIFIED BY: K.SIMPSON  
DATE: 9/9/2005

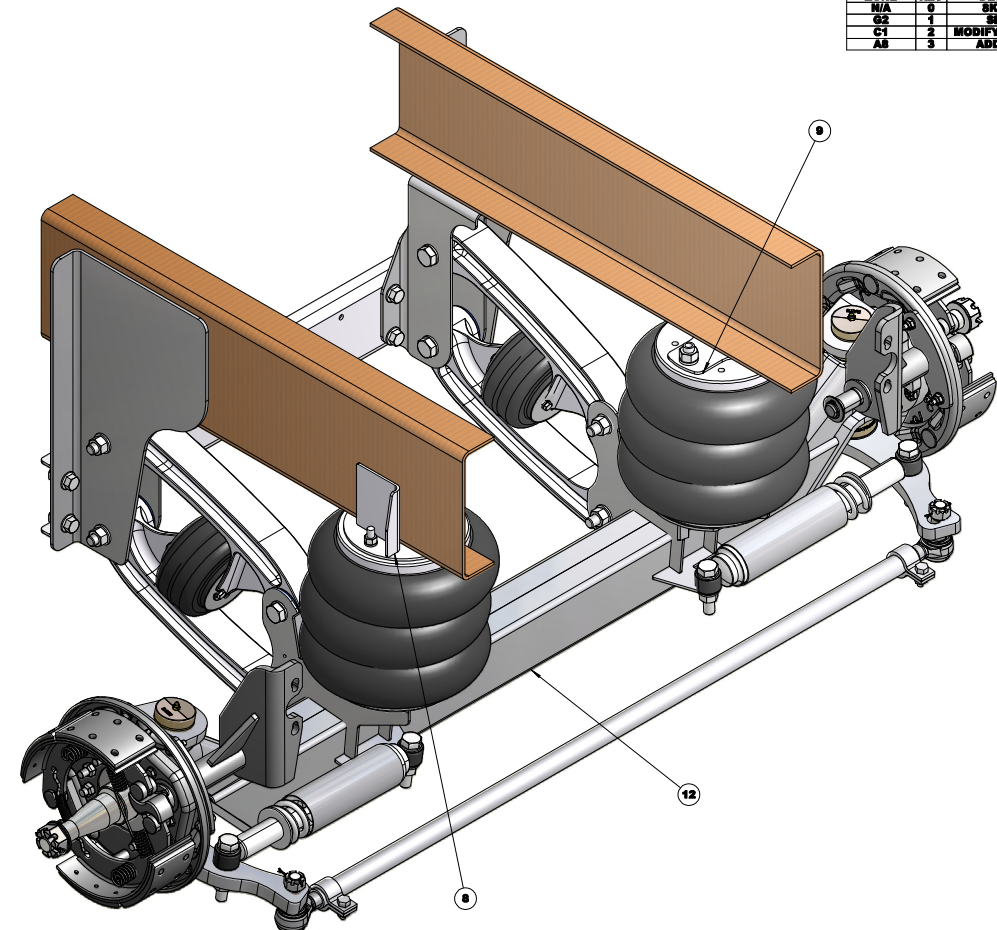
DRAWING No. 006090  
REVISION 3

TITLE  
**FBC 8K SUSPENSION  
ASSY 14.5" RH**

ECN No. H2999  
SIZE E  
SCALE .25=1

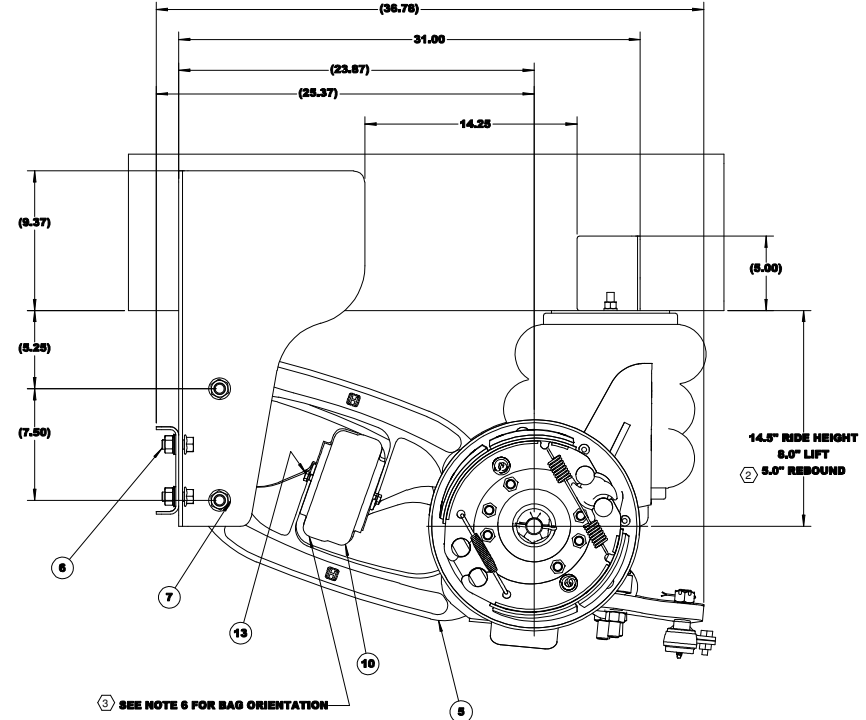
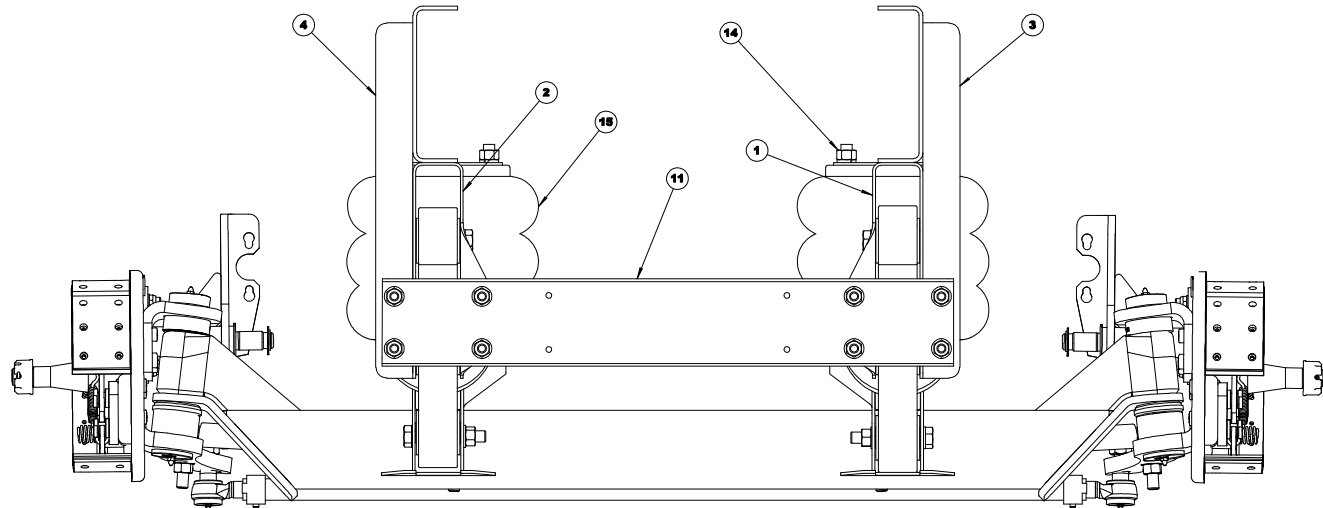
This print remains the property of Hendrickson. All information contained therein is confidential. It is loaned, subject to return on demand and on the expressed condition that it may not be copied or used for any other purpose than for which it was loaned.

DIMENSIONS ADHERE TO ANSI Y14.5M-1982 WELDS CONFORM TO AWS D1.1 PAGE 1 OF 1



DIMENSION DATA			
006090	-1	-2	-3
FRAME WIDTH	33.5	34.0	34.5
BEAM CENTERS	30.58	30.66	31.38
SPRING CENTERS	28.75	30.25	30.75

ITEM	PART NUMBER	DESCRIPTION	BILL OF Materials		
			-1	-2	-3
1	004825-1	BUSHING SADDLE	1	1	1
2	004825-2	BUSHING SADDLE	1	1	1
3	004825-1	SIDE RAIL (UC2)	1	1	1
4	004825-2	SIDE RAIL (UC2)	1	1	1
5	004833	BEAM ASSEMBLY, UC2	4	4	4
6	004842	CROSSMEMBER BOLT KIT	1	1	1
7	005009	PIVOT BOLT KIT	1	1	1
8	005065-1 ***	UPPER A/S PLATE WELDMENT (UC2)	1	1	1
9	005065-2 ***	UPPER A/S PLATE WELDMENT (UC2)	1	1	1
10	005079	AIR SPRING, LIFT	2	2	2
11	005662-1	CROSSMEMBER, UC2 8K 33.5	1	-	-
11	005662-2	CROSSMEMBER, UC2 8K 34.0	-	1	-
11	005662-3	CROSSMEMBER, UC2 8K 34.5	-	-	1
12	006089-1	AXLE ASSY, UC2 8K 14.5/23.5	1	-	-
12	006089-2	AXLE ASSY, UC2 8K 14.5/24.0	-	-	1
12	006089-3	AXLE ASSY, UC2 8K 14.5/24.5	-	-	1
13	A-1154	AIR SPRING BOLT KIT	1	1	1
14	A-8517 ***	AIR SPRING BOLT KIT	1	1	1
15	B-14487 ***	AIR SPRING (RIDE)	2	2	2



- NOTES:**
- BEFORE INSTALLATION, READ INSTRUCTION (FORM H633) IN THEIR ENTIRETY.
  - TOTAL WEIGHT: **CALCULATED 520 LBS.**
  - IT IS THE RESPONSIBILITY OF THE INSTALLER TO ENSURE PROPER VEHICLE FRAME DESIGN IN THE AREA OF SUSPENSION ATTACHMENT
  - \*\*\* THESE ITEMS ARE CONTAINED IN THE PARTS BOX
  - REQUIRED PARTS BOX LISTED UNDER MODEL NUMBER
  - AIR FITTING IN LIFT BAG TO FACE CROSSMEMBER AND CLEAR BEAM PADDLE UNLESS OTHERWISE NOTED.

- CLEARANCE SPECIFICATIONS**
- 2.0 INCHES MINIMUM REQUIRED BETWEEN TOP OF TIRE AND TRUCK STRUCTURE WITH AXLE AT FULL JOUNCE/LIFT.
  - 2.0 INCHES MINIMUM REQUIRED BETWEEN INSIDE OF TIRE AND TRUCK STRUCTURE FOR LATERAL MOVEMENT
  - 1.0 INCHES MINIMUM CLEARANCE MUST BE MAINTAINED ALL AROUND AIR SPRING WHEN IT IS AT MAX. DIAMETER
  - 1.0 INCHES MINIMUM CLEARANCE MUST BE MAINTAINED AROUND DRIVE SHAFT IN WORST CASE CONDITION (FULLY LIFTED)
  - CLEARANCE AROUND THE BRAKE IS THE CUSTOMER'S RESPONSIBILITY. HAUX IS NOT RESPONSIBLE FOR ANY INTERFERENCE IN THIS AREA